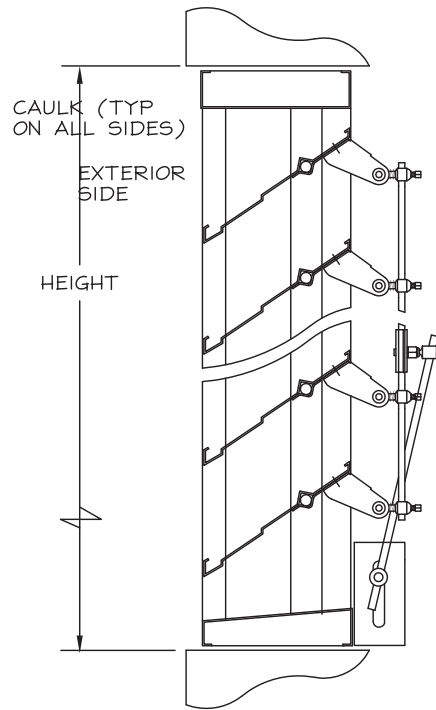


SCREEN ON FACE

FRONT ELEV.



**STANDARD CONSTRUCTION**

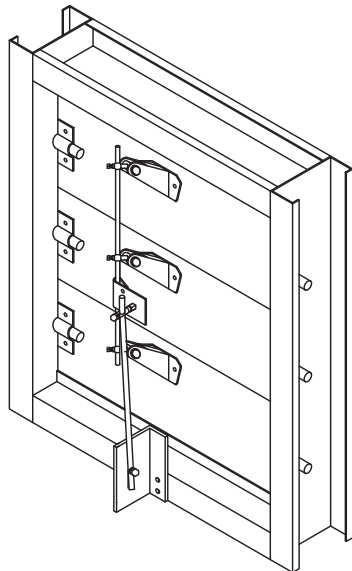
MODEL: ADBF-06-300F-B  
 FRAME: 16 GA. GALV. STEEL  
 BLADES: 16 GA. GALV. STEEL  
 BEARINGS: 1/2" DIA. BRONZE OILITE  
 AXLES: 1/2" DIA. PLATED STEEL  
 LINKAGE: PLATED STEEL  
 SCREEN: 1/2 MESH X 19 GA. GALV. IN FRAME ON FACE  
 FINISH: NATURAL MILL  
 OPERATOR: WING NUT TYPE

**NOTES:**

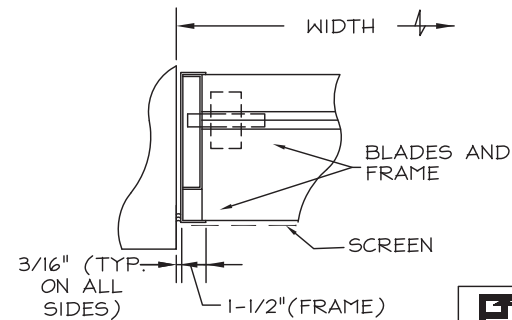
1. ALL LOUVERS TO BE FABRICATED 3/8" UNDER LISTED OPNG. SIZES UNLESS SPECIFIED "ACTUAL".
2. ALL OPNG SIZES TO BE FIELD VERIFIED AND GUARANTEED BY OTHERS PRIOR TO FABRICATION.
3. OTHER SURROUNDING FINISHES ARE FOR REFERENCES ONLY AND TO BE SUPPLIED BY OTHERS.

**LOUVER SCHEDULE**

TAG QTY OPNG SIZE (WXH) NOTES



ISOMETRIC



SECTION "A"

SECTION "C"

		<b>DOWCO</b> DEPENDABLE PRODUCTS SINCE 1955 1855 SOUTH 54TH AVENUE, CICERO, IL. 60650				
		ARCH/ENGR:	CUSTOMER:			
REV.		DESCRIPTION	DATE	BY	PROJECT:	TITLE: A-DBF-06/SERIES
DATE:		DRAWN: JN	CHKD:		DRWG #:	