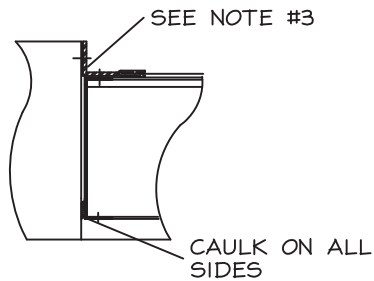
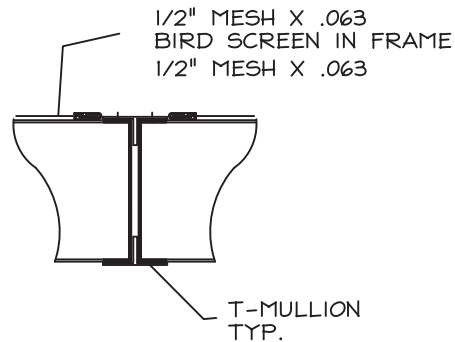


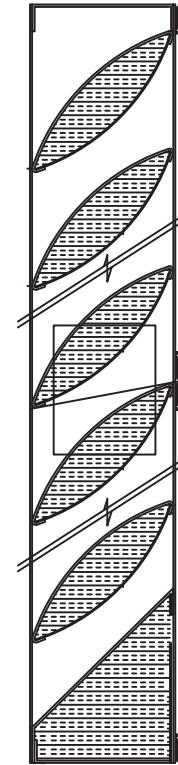
FRONT ELEVATION



SECT. - A



SECT. - B



SECT. - C

STANDARD CONSTRUCTION
 MODEL: UFA-12-200N-F
 FRAME: .080" THK. FORMED ALUM.
 BLADES: .060" THK. ROLL-FORMED AIRFOIL
 W/ 20 GA. PERFORATED SHEET
 SOUND INSULATION: 6# DENSITY
 PER CU. FT. MINERAL WOOL
 ASSEMBLY" 3/16" PLATED STEEL
 EXPOSED TO VIEW
 SCREEN: 1/2" MESH X .063 ALUM.
 WIRE IN EXTRD. ALUM. FRAME
 FINISH: KYNAR 500, 2-STEP SYSTEM
 PPG DURANAR, CHARCOAL

- NOTES:
1. ALL LOUVER TO BE FABRICATED PER 1/4" UNDER LISTED OPNG. SIZES UNLESS OTHERWISE SPECIFIED "ACTUAL".
 2. ALL OPNG SIZES TO BE FIELD VERIFIED AND GUARANTEED BY OTHERS PRIOR TO FABRICATION.
 3. SUPPORT ALL LOUVERS BY MOUNTING CLIPS (SUPPLIED BY OTHERS) @ EVERY 24" OC. OR APPROVED EQUAL.

SAFE AIR  **DOWCO**  DEPENDABLE PRODUCTS SINCE 1965
 1855 SOUTH 54TH AVENUE, CICERO, IL. 60650

ARCH/ENGR: _____ CUSTOMER: _____

REV.	DESCRIPTION	DATE	BY	PROJECT:	TITLE: UFA-12/SERIES
				DATE: _____	DRAWN: _____
				SCALE: 1:1	CHKD: _____
					DRWG #: