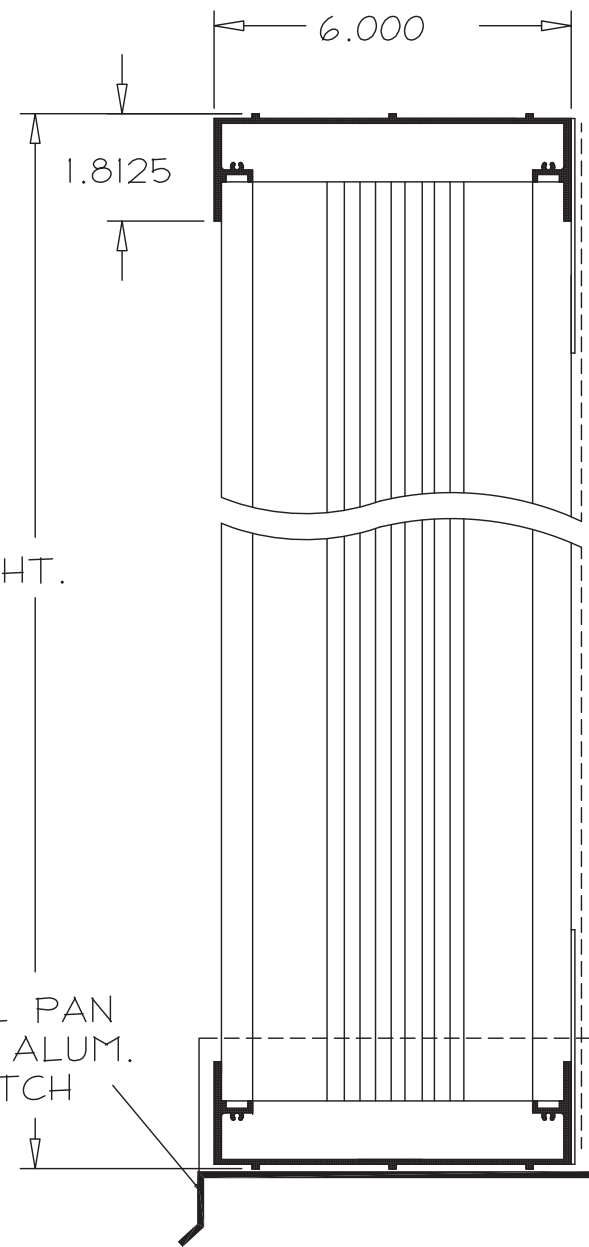


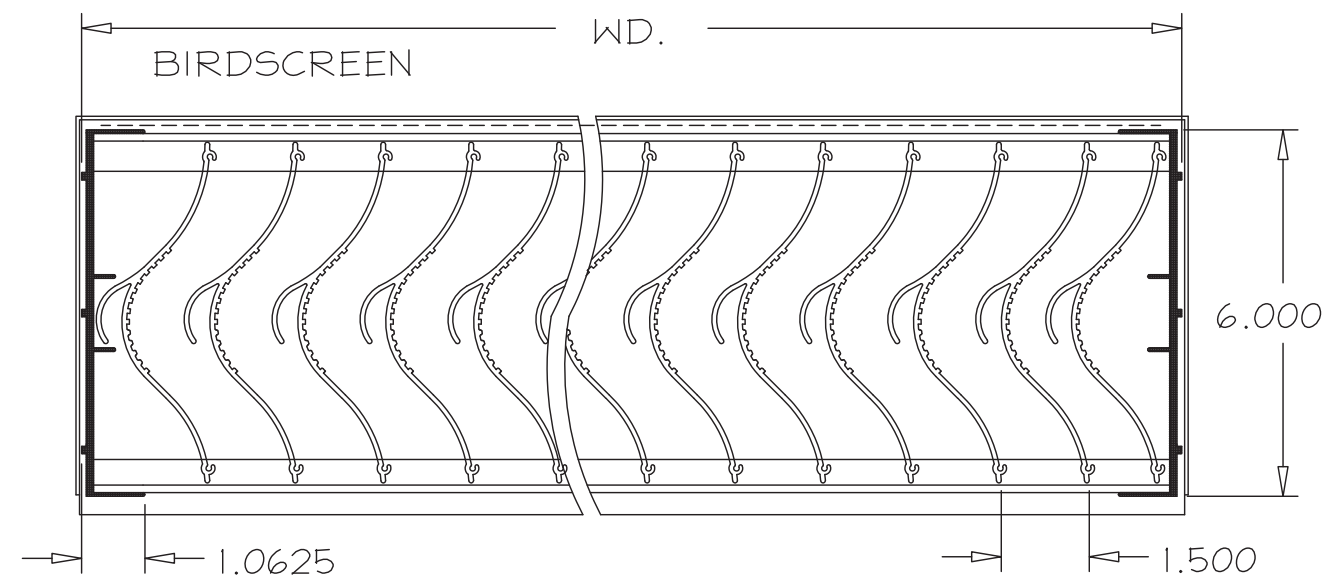
DRAIN HOLES

FRONT ELEVATION

OPTIONAL SILL PAN
.063" FORMED ALUM.
COLOR TO MATCH
LOUVER



SECTION "B"



SECTION "A"

STANDARD CONSTRUCTION

MODEL: WDL-06/SERIES
 FRAME: .125" THK. EXTRUDED ALUM. 6063-T5
 BLADES: .081" THK. EXTRUDED ALUM. 6063-T5
 FASTENERS: WELDED & MECHANICAL CONST.
 SCREEN: 1/2" x .063 ALUM. WIRE SCREEN IN FRAME
 FINISH: KYNAR 500 2-STEP, COLOR TO BE
 PPG CENTRIA 1760 LIMESTONE

NOTES:

1. ALL LOUVERS TO BE FABRICATED 1/4" UNDER LISTED OPNG. SIZES UNLESS SPECIFIED "ACTUAL".
2. ALL OPNG SIZES TO BE FIELD VERIFIED AND GUARANTEED BY OTHERS PRIOR TO FABRICATION.
3. OTHER SURROUNDING FINISHES ARE FOR REFERENCES ONLY AND TO BE SUPPLIED BY OTHERS.

LOUVER TAG	QUANTITY	OPNG SIZE (WXH)	NOTES
------------	----------	-----------------	-------

SAFE-AIR
DOWCO

DEPENDABLE PRODUCTS SINCE 1955
 1855 SOUTH 54TH AVENUE, CICERO, IL. 60650

ARCH/ENGR: _____ CUSTOMER: _____

REV.	DESCRIPTION	DATE	BY	PROJECT:	TITLE:
					WDL-06/SERIES
				DATE:	DRAWN:
					CHKD:
					DRWG #: