

Dynamic Curtain Fire Damper - MODEL D-150C-OV/RD

Features – U. L. Rated for 1-1/2 hour fire damper, for use in a 2 hour fire partition. • Meets NFPA 90A & UL555

STANDARD CONSTRUCTION

FRAME

4-7/8" deep, 22 gauge galvanized steel

BLADES

3-3/8" wide, 22 gauge galvanized steel

UNDERSIZED

1/4" under ordered size unless specified otherwise

FUSIBLE LINK

165° Standard (others available)

SPRING

Stainless Steel – 301 Negator type

MINIMUM SIZE

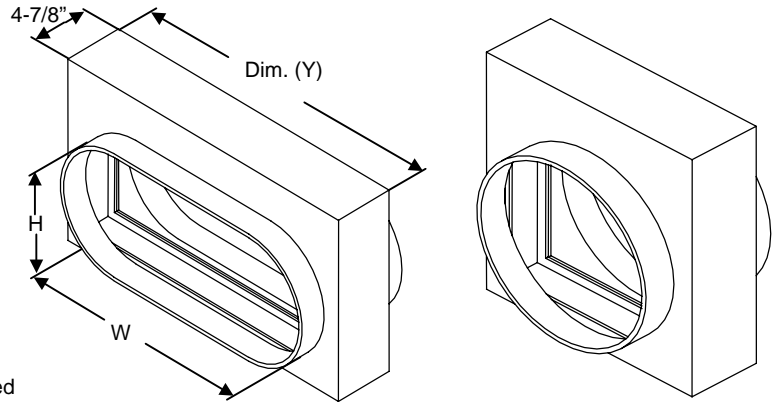
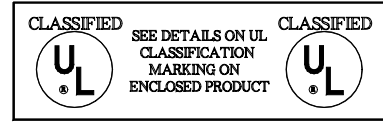
4" w x 4" h

MAXIMUM SIZE

22" w x 20" h (Duct Size)

MAXIMUM STATIC PRESSURE (damper closed)

4" WG @ 3000 FPM



OPTIONAL CONSTRUCTION

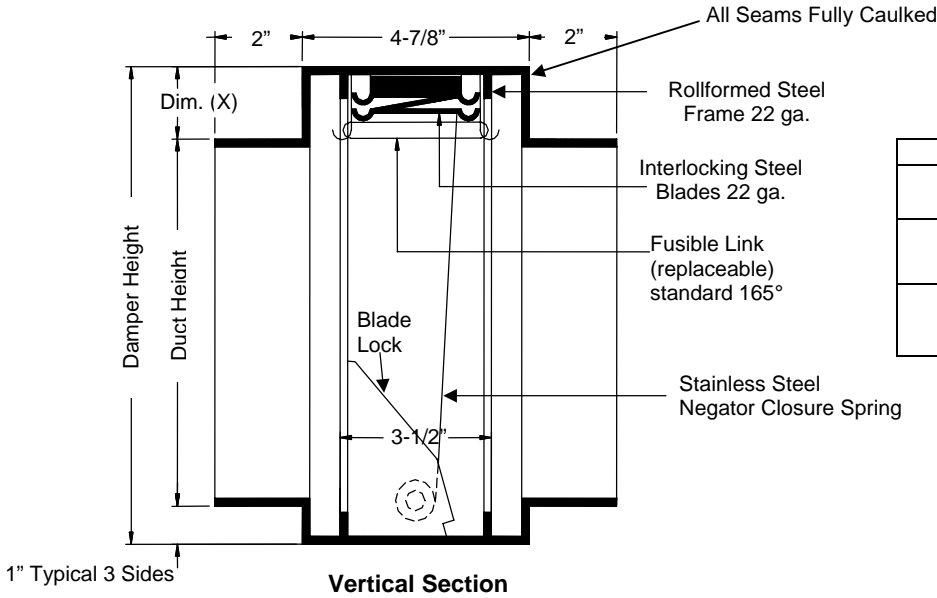
FRAME – Available in Stainless Steel

BLADE – Available in Stainless Steel

FUSIBLE LINK – Electrically triggered link (ETL)

SLEEVE & DUCT CONNECTION – 10 ga. to 20 ga. galvanized steel to 30" in length. Factory can install access door, retaining angles, flange connections or security bars.

Vertical Section



Damper Height		
Duct Height	Dim. (X)	Dim. (Y)
4" thru 15"	2"	W + 2"
16" thru 20"	3"	W + 2"

DATE		ARCHITECT		CUSTOMER	
PROJECT					
ITEM	QTY	W	H	DESCRIPTION	



DEPENDABLE PRODUCTS SINCE 1955

SAFE-AIR/DOWCO

Engineering and General Offices

1855 South 54th Avenue, Cicero, Illinois 60804

Phone 708-652-9100 FAX 708-652-9158