

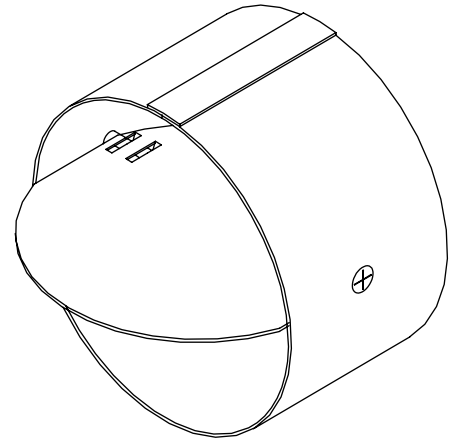
Dryer Vent Damper Model DVD-R

Features – Economical Medium Duty Backdraft Damper

Please Specify Horizontal or Vertical Airflow

STANDARD CONSTRUCTION

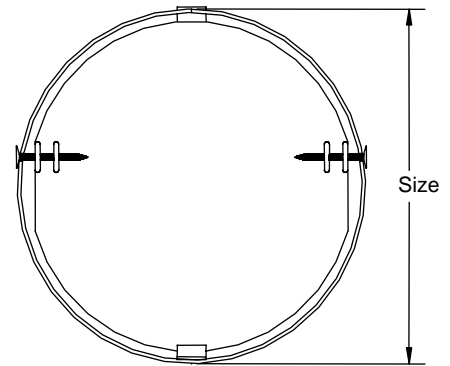
- FRAME**
4" deep, 20 gauge galvanized steel
- BLADES**
20 gauge galvanized steel
- BLADE AXLES & BEARINGS**
AXLES - 3/16" steel screw
BEARINGS - Brass sleeve
- MAXIMUM VELOCITY & STATIC PRESSURE**
2000 FPM @ 2" w.g.
- MAXIMUM SIZE**
24" Diameter
- MINIMUM SIZE**
4" Diameter
- UNDERSIZED**
1/8" under ordered size unless specified Exact or Actual
- FINISH**
Mill
- OPERATOR**
None



ISOMETRIC VIEW

OPTIONAL CONSTRUCTION

- FRAME** – Available in galvanized steel construction up to 10 gauge
- SPECIFIED MATERIAL** – Available in Stainless, Aluminum or as requested
- SLEEVE AND DUCTWORK CONNECTION** – 10 ga. to 20 ga. galvanized steel to 30" in length.
- FINISH** – Paint is available



ELEVATION

DATE	ARCHITECT/ENGINEER			CUSTOMER
PROJECT				
ITEM	QTY	W	H	DESCRIPTION