

Extruded Aluminum Penthouse Elevator Vent - Model PEV-04

STANDARD CONSTRUCTION

ALL MATERIAL - EXTRUDED ALUMINUM 6063-T5 (KB-45)

FRAME

.081" thk. extruded aluminum

BLADES

.081" thk. extruded aluminum

ROOF

.063" formed aluminum (5005-H34), undercoated with black tar for anti-condensation

Size

38 x 38 x 18 (OD)

Glass

1/8" Annealed Glass one side

FASTENERS

Plated steel screws

CURB

36" Tall 16 Gauge Galvanized Steel Welded

UNDERSIZED

1/4" under ordered size unless specified Exact or Actual

SCREEN

3/4" x .051" expanded aluminum bird screen

FINISH

Mill

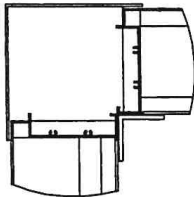
Damper

29" x 29" UL listed model 621 smoke damper

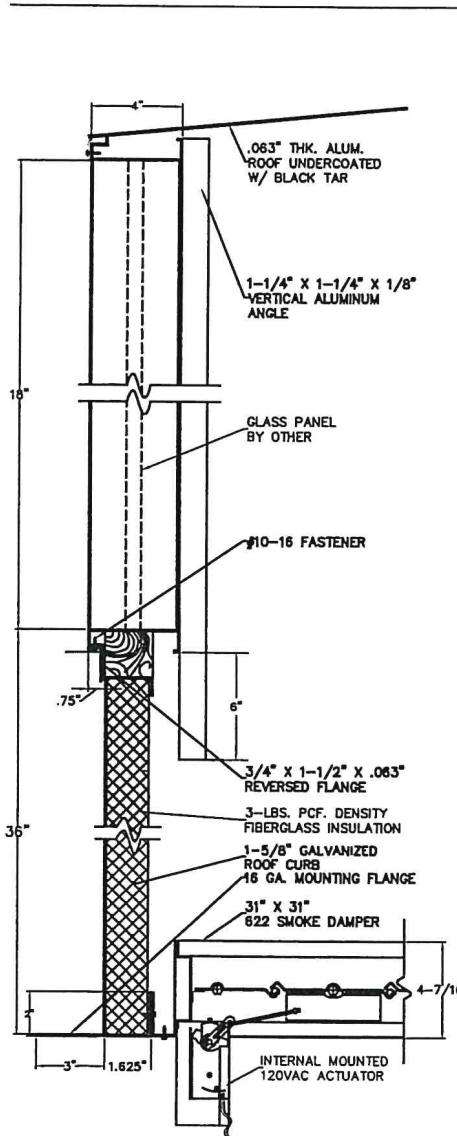
Class 1 with 120V electric actuator mounted internally

OPTIONAL CONSTRUCTION

BLADES, FRAME & ROOF - Available in heavier gauge material
SCREEN - Many styles available please consult screen listing
FINISH - Powder coat, epoxy primer, Kynar, or Powder coat.
CONSTRUCTION - Fully welded construction



P - series
Post Corners



STANDARD CONSTRUCTION

MODEL: P-LEC-04-X00T-D
 FRAME: .081" THK. EXTRUDED ALUM. ALLOY 6063-T52
 BLADES: .081" THK. EXTRUDED ALUM. ALLOY 6063-T5, @ 45 DEGREES
 CORNERS: .063" THK. FORMED ALUM. ALLOY 5005-H34
 ROOF: .063" THK. FORMED ALUM. 5005-H34 UNDERCOATED WITH BLACK TAR
 SCREEN: EXP. ALUM. SCREEN NO FRAME
 FINISH: MILL

MODEL-622 CONSTRUCTION

MODEL: 622 - SMOKE DAMPER
 FRAME: 4-5/16" DEEP 16 GA. GALVANIZED STEEL
 BLADES: 6" WIDE 16 GA. GALVANIZED STEEL
 AXLE: 7/16" PLATED HEX
 BEARINGS: BRONZE OIL IMPREGNATED
 LINKAGE: PLATED STEEL CONCEALED INSIDE JAMB DRIVE
 SEALS: SILICONE BLADE SEALS AND S.S. SIDE SEALS
 ACTUATOR: SIEMENS GGD-221, 120VAC

CURB CONSTRUCTION

MODEL: FRC-GS - ROOF CURB
 SHELL: 16 GA. GALVANIZED STEEL
 BASE: 16 GA. GALVANIZED STEEL
 WOOD NAILER: AS REQUIRED, FACTORY INSTALLED
 FASTENERS: WELDED CONSTRUCTION
 INSULATION: 3-LBS. PCF DENSITY FIBERGLASS
 THICKNESS: 1-5/8"
 FINISH: MILL

NOTES:

1. ALL LOUVERS TO BE FABRICATED 1/4" UNDER LISTED OPNG. SIZES UNLESS SPECIFIED "ACTUAL".
2. ALL OPNG SIZES TO BE FIELD VERIFIED AND GUARANTEED BY OTHERS PRIOR TO FABRICATION.
3. OTHER SURROUNDING FINISHES ARE FOR REFERENCES ONLY AND TO BE SUPPLIED BY OTHERS.

PENTHOUSE SCHEDULE

TAG	QTY	OPENING SIZE (WxH)	NOTES
	2	38" X 38" X 18"	3-SIDED LOUVER WALL 1-SIDE GLASS PANEL BY OTHERS

DATE		ARCHITECT / ENGINEER			CUSTOMER	
PROJECT						
ITEM	QTY	W	H	DESCRIPTION		