

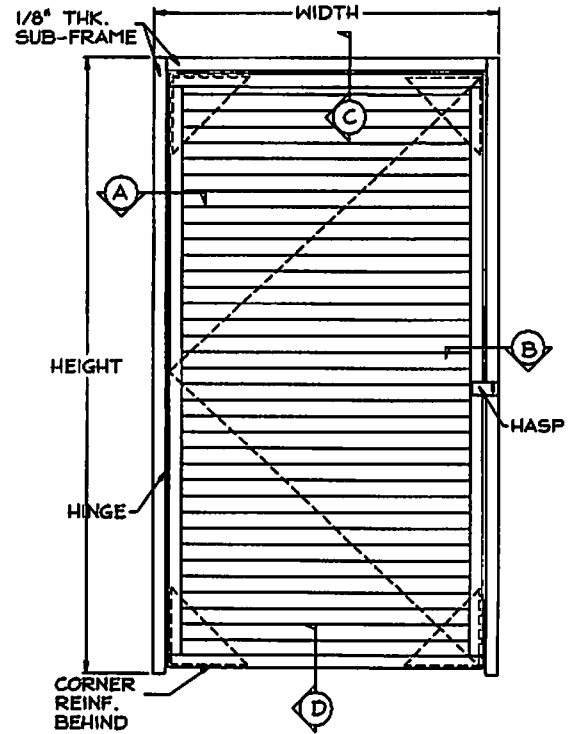
Extruded Aluminum Louvered Door

STANDARD CONSTRUCTION

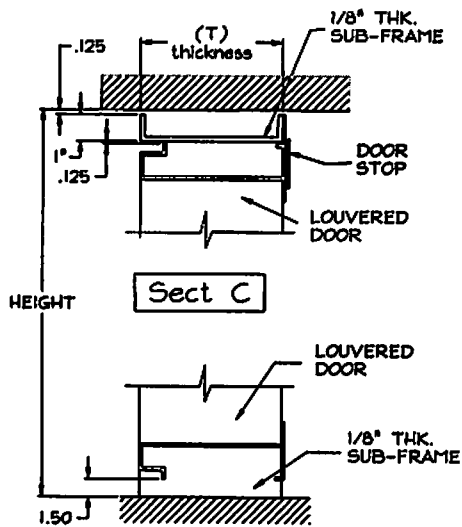
- SUB-FRAME**
.125" thk. Formed aluminum alloy 3003-H14
- LOUVER FRAME**
.063/.081" thk. extruded aluminum, alloy 6063-T52
- LOUVER BLADES**
.063/.081" thk. extruded aluminum, alloy 6063-T52
- CORNER REINFORCEMENT**
6" x 6" x .125" thk. plate
- PIANO HINGE**
1/16" thk. x 4" wide electro galvanized steel continuous
- HASP**
Stainless steel hasp, padlock not included
- SCREEN**
Expanded aluminum screen in frame
- THICKNESS (T)**
1-3/8", 2", 4", 5" and 6"
- MAXIMUM SIZE**
48" x 96", larger size may require thicker sub-frame.
- MINIMUM SIZE**
24" x 36"
- FINISH**
Mill

OPTIONS

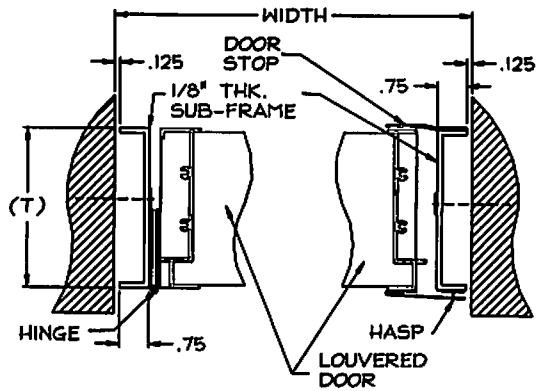
- Material**
Galvanized or Stainless steel Construction
- FINISH**
Kynar 500, Prime coat, Powder Coat , Baked Enamel, Anodized.



FRONT ELEVATION



Sect D



Sect A

Sect B

DATE	ARCHITECT	CUSTOMER		
PROJECT				
ITEM	QTY	W	H	DESCRIPTION